

# Using Nozzles or Orifices before a Check Valve

## 1 General

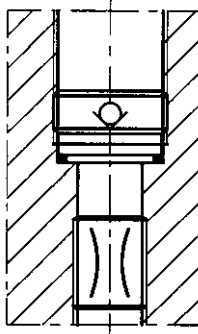
When using nozzles or orifices in a system, they must not be situated directly before a check valve (Example A).

Nozzles or orifices must be positioned so that the flow is throttled after the check valve (Example B), or so that the

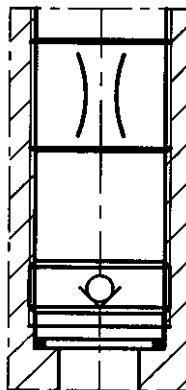
oil jet is disrupted by a right-angle bend in the flow path (Example C).

## 2 Examples

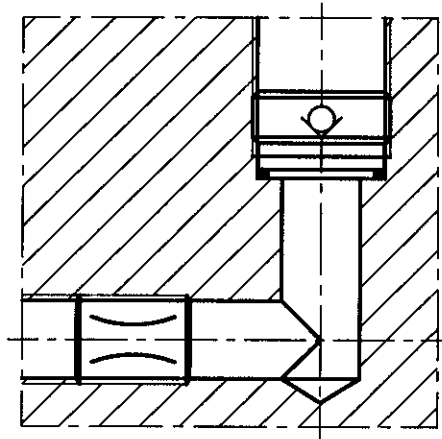
Example A



Example B



Example C



### BUCHER HYDRAULICS

#### Germany

Tel.: +49 7742 8520  
Fax: +49 7742 7116  
info.de@bucherhydraulics.com

#### France

Tel.: +33 389 64 22 44  
Fax: +33 389 65 28 78  
info.fr@bucherhydraulics.com

#### Netherlands

Tel.: +31 7934 26 24 4  
Fax: +31 7934 26 28 8  
info.nl@bucherhydraulics.com

#### UK

Tel.: +44 2476 35 35 61  
Fax: +44 2476 35 35 72  
info.uk@bucherhydraulics.com

[www.bucherhydraulics.com](http://www.bucherhydraulics.com)

#### USA

Tel.: +1 262 605 82 80  
Fax: +1 262 605 82 78  
info.wi@bucherhydraulics.com

#### Switzerland

Tel.: +41 33 672 61 11  
Fax: +41 33 672 61 03  
info.ch@bucherhydraulics.com

#### Italy

Tel.: +39 0522 92 84 11  
Fax: +39 0522 51 32 11  
info.it@bucherhydraulics.com

#### Austria

Tel.: +43 6216 44 97  
Fax: +43 6216 44 97 4  
info.at@bucherhydraulics.com

#### China

Tel.: +86 10 68 31 41 08  
Fax: +86 10 68 31 41 21  
info.bi@bucherhydraulics.com

#### Product Center, Elevator Hydraulics

Tel.: +41 41 757 03 33  
Fax: +41 41 757 05 00  
info.nh@bucherhydraulics.com

We reserve the right of modification without prior notice.